

Swiss Profile Cylinder



Application

Compatible with locks and lock cases using Swiss profile cylinder.

Operation

360° rotation by operating key or thumbturn. Standard double cylinder, full key insertion disengages other side.

Materials

Body and plug: high quality brass
Cam and cogwheel: steel
Pins: nickel silver and stainless steel

Standard finishes

Nickel satin, brass

Cylinder mechanism

Mul-T-Lock's unique, high precision pin tumbler system. Pick and drill resistant for High Security needs.

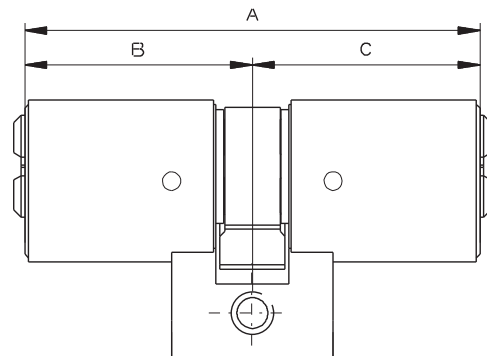
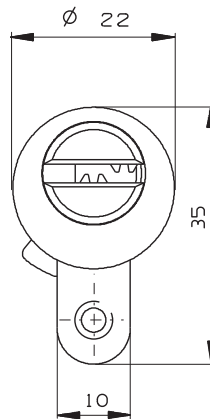
Keys

Reversible nickel silver key with plastic key head and colored insert. Also available in all nickel silver.

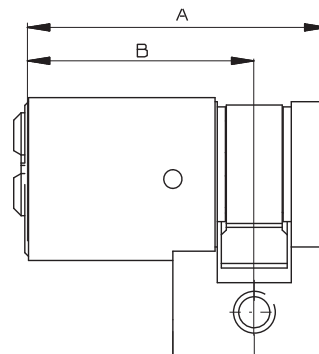
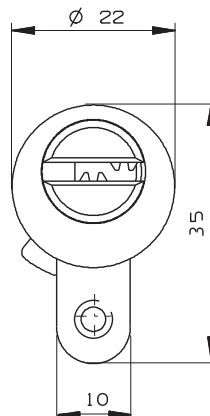
Cylinder options

- Classic, Interactive®, MT5® platforms
- '3 IN 1' (changeable combination)
- Keyed different, keyed alike
- Master keyed
- Variety of thumbturns, cams and cogwheels
- Emergency cylinder with both sides permanently operational

Double cylinder



Single cylinder



Swiss Profile Cylinder

Lengths Available (mm)

Double cylinder

A	B	C	Chambers
62	31	31	5
66	31	35	5
66	33	33	5
70	35	35	5
71	31	40	5
71	38	33	5
75	40	35	5
76	31	45	5
76	38	38	5
80	40	40	5
80	45	35	5
81	31	50	5
85	45	40	5
86	31	55	5
86	43	43	5
90	55	35	5
91	31	60	5
95	55	35	5
95	55	40	5
96	31	65	5
105	65	40	5
145	75	70	5

Single cylinder

A	B	Chambers
42.5	33	5
44.5	35	5
47.5	38	5
49.5	40	5
54.5	45	5

NOTE: Other lengths are available by special order.

Not all lengths are available in all platforms.